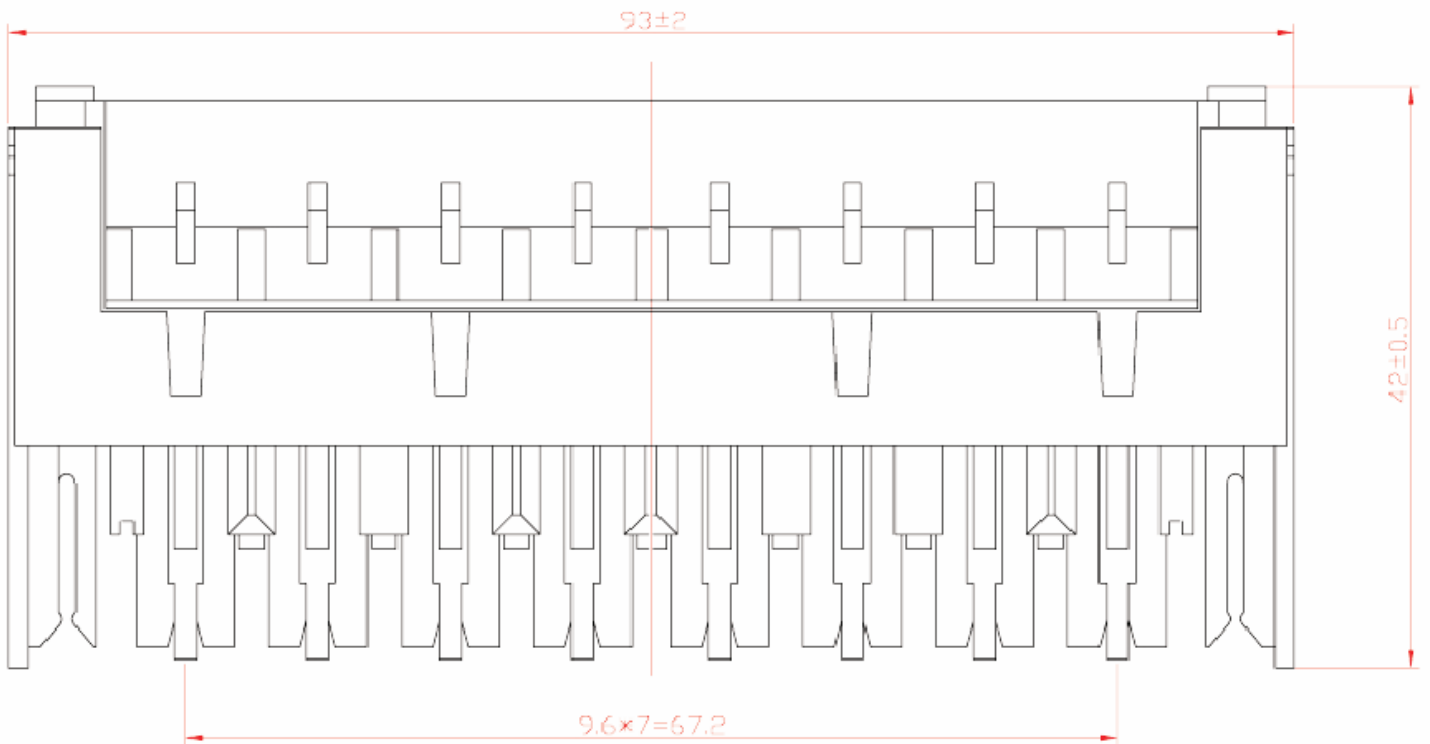
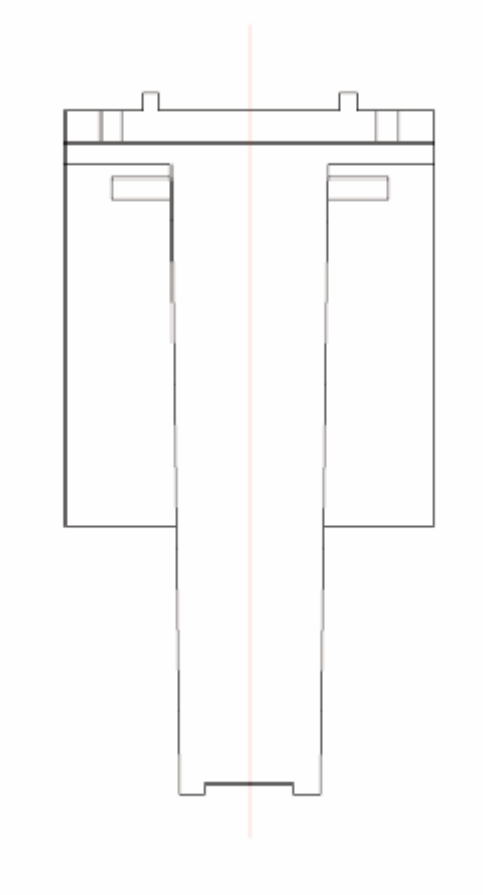


SPECIFICATIONS



PROTECTION MAGAZINE



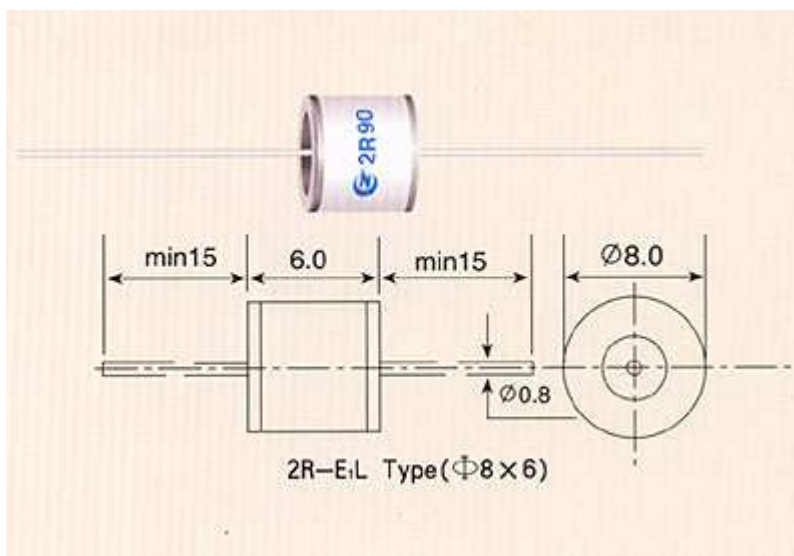


Key Specifications/Special Features

- 1、 Size (mm) L x W x H: 10 pairs: 8 pairs: 93 x 22 x 42 ;
- 2、 Over-voltage barrier property parameter: direct current electric breakdown strength: $U_{dc}=190$ to $260V$;
Pulse electric breakdown strength: $U_{max} \leq 800V$;
- 3、 Environment condition: 5-40 degree Celsius ; Relative humidity <85% (+30 degree Celsius) ;
Atmospheric pressure: 70-106KPa 。
- 4、 The performance of anti-burn: PBT or anti-burn ABS (UL94V-0) , Combustibility achieved GB/T 5169.7-1985 standard ; metal: phosphorus bronze and silver plating (20-40 uinch) ;
- 5、 Type: 2-pole and 3-pole, specification: 8 pairs and 10 pairs 。

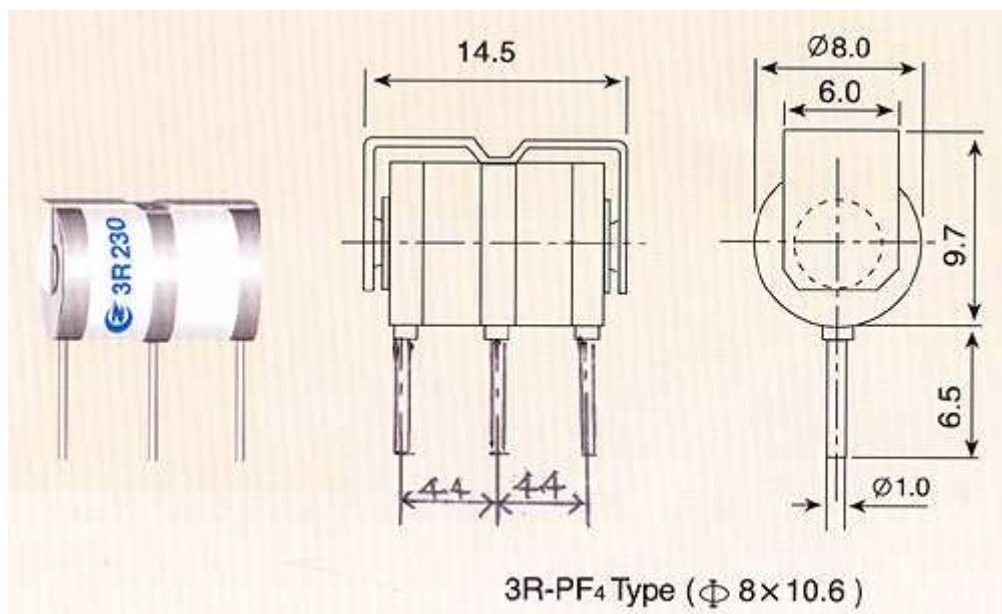
ARRESTER

2 pole arrester



| DC spark-over voltage (100V/s) V | Impulse spark-over voltage (1KV/us) V | Impulse discharge current (10/1000us 300times) A | Impulse discharge current (8/20us 10times) KA | discharge current (50Hz 1s 5times) | Holdover voltage V | Insulation resistance Ω | Capacitance pF |
|-------------------------------------|--|---|--|------------------------------------|-----------------------|-----------------------------------|-------------------|
| 2R-200 E ₁ L | 200±20% | ≤800 | 100 | 20 | 20 | 80 | ≥10 ¹⁰ |

3 pole arrester



| 型号 type * | 直流击穿电压 DC spark-over voltage (100V/s) V | 冲击击穿电压 Impulse spark-over voltage (1KV/us) V | 耐脉冲电流 Impulse discharge current (10/1000us 300times) A | 耐脉冲电流 Impulse discharge current (8/20us 10times) KA | 耐交流电流 AC discharge current (50Hz 1s 5times) | 过保持电压 Holdover voltage V | 绝缘电阻 Insulation resistance Ω | 极间电容 Capacitance pF | 横向电压持续时间 Transerse voltage duration ns | |
|-----------------------|--|---|--|---|--|--------------------------------|------------------------------------|---------------------------|--|------|
| 3R-75AF ₄ | 75±25% | ≤600 | 50 | 10 | 10 | / | ≥10 ¹⁰ | <1.5 | ≤200 | |
| 3R-90AF ₄ | 90±25% | ≤600 | 50 | 10 | 10 | / | ≥10 ¹⁰ | <1.5 | ≤200 | |
| 3R-150AF ₄ | 150±20% | ≤700 | 100 | 10 | 10 | 80 | ≥10 ¹⁰ | <1 | ≤200 | |
| 3R-230AF ₄ | 230 ⁺³⁰ ₋₄₀ | I | ≤800 | 100 | 10 | 10 | 135 | ≥10 ¹⁰ | <1 | ≤200 |
| | | II | ≤500 | / | | | | | | |
| 3R-350AF ₄ | 350±20% | I | ≤800 | 100 | 10 | 10 | 135 | ≥10 ¹⁰ | <1 | ≤200 |
| | | II | ≤600 | / | | | | | | |
| 3R-470AF ₄ | 470±20% | I | ≤900 | 100 | 10 | 10 | 135 | ≥10 ¹⁰ | <1 | ≤200 |
| | | II | ≤700 | / | | | | | | |
| 3R-600AF ₄ | 600±20% | ≤1200 | 100 | 10 | 10 | 135 | ≥10 ¹⁰ | <1 | ≤200 | |