



CHEERWE TELECOM ALL RIGHTS RESERVED 2010

www.chinacheerwe.com E-mail:sales@chinacheerwe.com

Fiber Optic Splice Closure, Fiber optic Junction Box, Fiber Dome Closure

Item No.:CWFOC1001



**Four individual, self-sizing grommeted cable ports
(expandable to six cable entrances)**

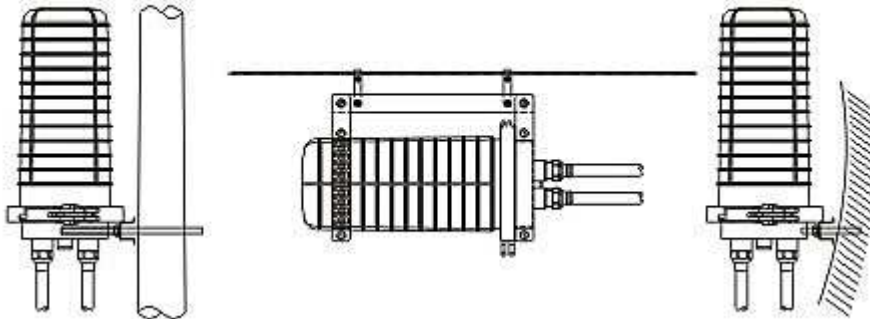
- **Taut Sheath splice module accommodates up to twelve fusion or mechanical splices and supports storage of up to twelve optical connector adapters**
- **Patented tongue-in-groove cover seal system**
- **Cable retention clamps provide pullout rating required**

- Engineered thermoplastic to meet aerial and UV resistance requirements
- Protective channel allowing taut fibers or bundles to pass through the closure
- Rural Utilities Service (RUS) Listed

柱挂 Pole mounting

架空 Aerial

管道 Pipe-lined



Dimension for the Closure (HxD)		460mmx205mm
Ports For Cable Entrance		5
Suitable Diameter For the Cable		Φ38mm
Max capacity	Bundle Cable	24-96
	Ribbon Cable	288
Quantity Of Splice Tray Installed		1-4