

Document No.:SSCL02-1/2

Name: LC/PC SM 0.9mm Connector

Type code :LCY902S

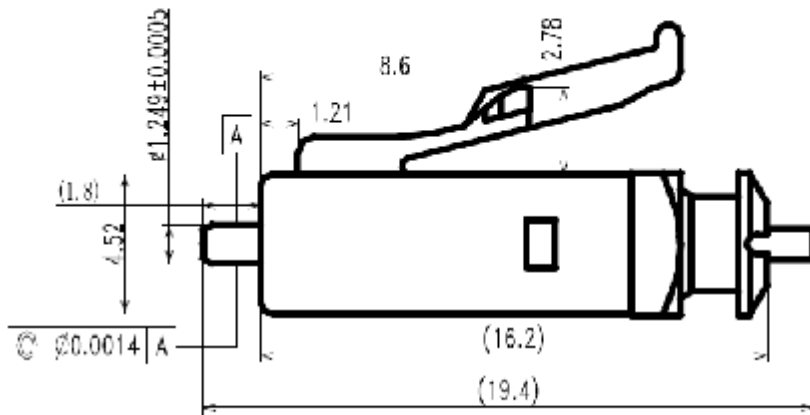


Figure-1:Main Body

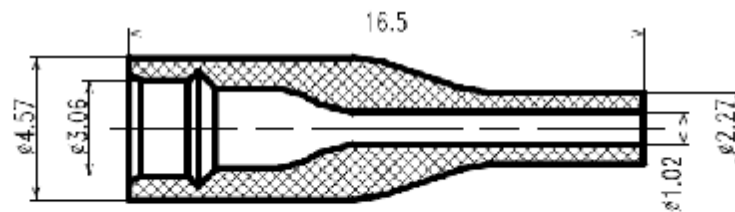


Figure-2:Boot

PONDAN-TELECOM
CHINA PANS GROUP
TEL: +86-139-57836776
FAX: +86-574-87806329
E-MAIL: makemehappy8302gmail.com

Document No.:SSCL02-2/2

Name: LC/PC SM 0.9mm Connector

Type code :LCY902S

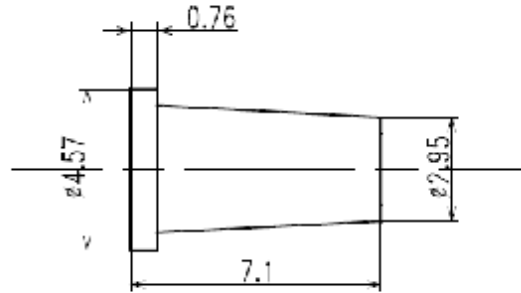


Figure-3:Cap1

	Parts	Material	Remark
ure-1	Ferrule	Zirconia	
	Flange	Stainless Steel	
	Body	PEI	Standard colour : Blue
	Plug Frame	PEI	Standard colour : Blue
	Spring	Steel	
	Tube	TPFE	Clear
Figure-2	Boot	TPE	White
Figure-3	Cap	PP	Standard colour : White

Table-1:Parts and Material

Note:

- 1.The product is packaged to prevent damage during shipment.
- 2.For the colour of Boot ,french grey are available ,please point out.
- 3.For the colour of cap ,Just white, other colour please point out.

PONDAN-TELECOM

CHINA PANS GROUP

TEL: +86-139-57836776

FAX: +86-574-87806329

E-MAIL: makemehappy8302gmail.com