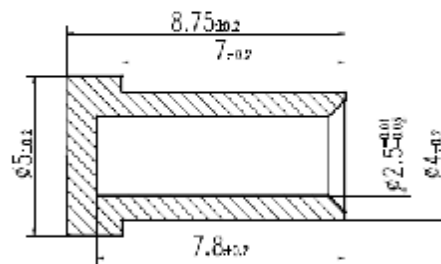
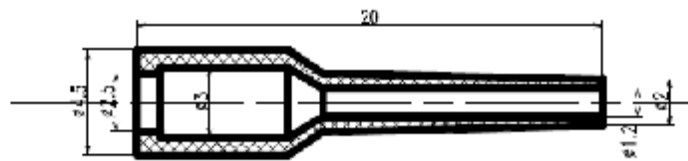
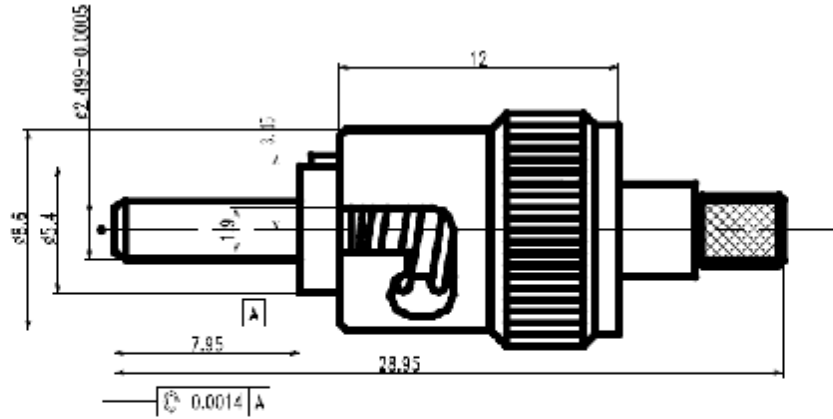


Document No.:SSCT02-1/2

Name: ST/PCSM 3.0mm Connector

Type code :STY301S



PONDAN-TELECOM
CHINA PANS GROUP
TEL: +86-139-57836776
FAX: +86-574-87806329
E-MAIL: makemehappy8302gmail.com

Document No.:SSCT02-2/2

Name: ST/PCSM 3.0mm Connector

Type code :STY301S

	Parts	Material	Remark
Figure-1	Ferule	Zirconia	
	Flange	Brass	Nickel plating
	Frame	Brass	Nickel plating
	Spring	Steel	Nickel plating
	C-Ring	Steel	Nickel plating
Figure-2	Boot	TPEE	Standard colour : Black
Figure-3	Cap	PVC	Standard colour : Transparent

Table-1:Parts and Material

Note:

- 1.The product is packaged to prevent damage during shipment.
- 2.For the colour of Boot ,Yellow、 blue、 red and others are available ,please point out.
3. For the colour of cap ,black、 blue、 red and others are available ,please point out.

PONDAN-TELECOM

CHINA PANS GROUP

TEL: +86-139-57836776

FAX: +86-574-87806329

E-MAIL: makemehappy8302gmail.com